

g -x2

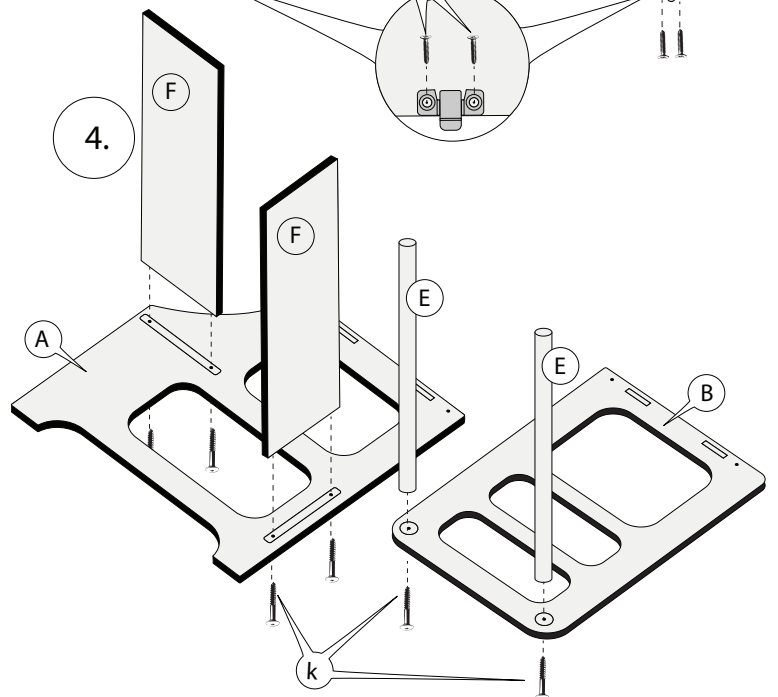
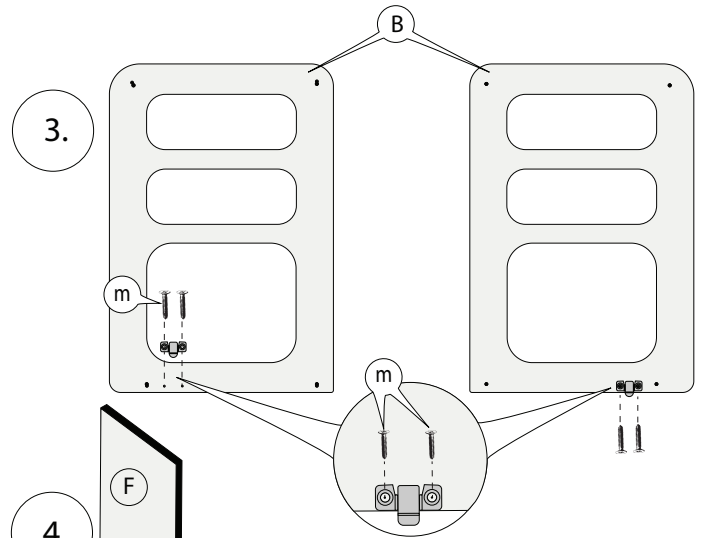
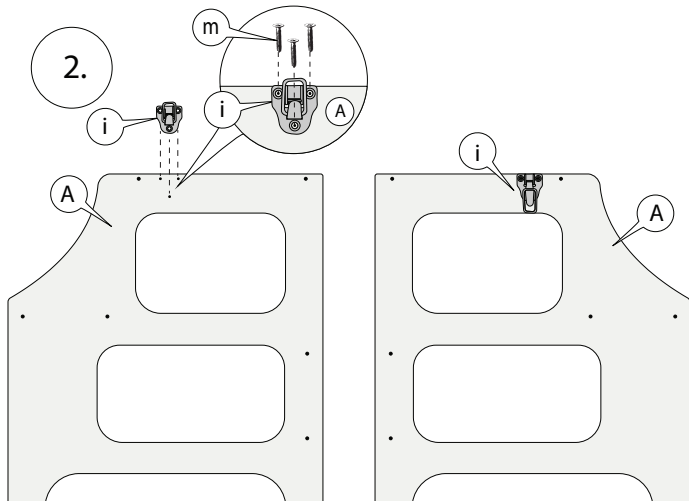
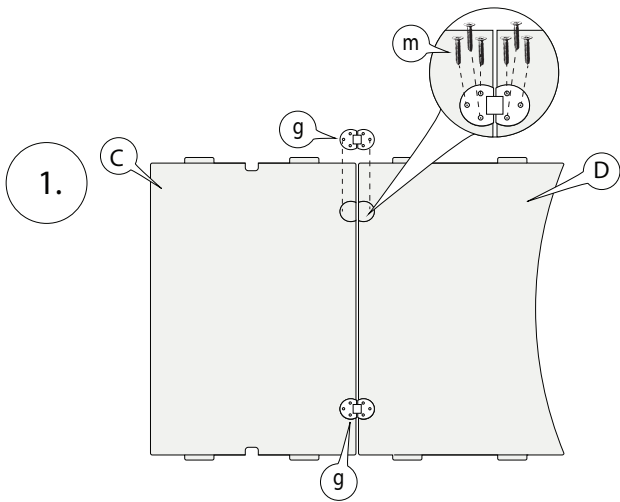
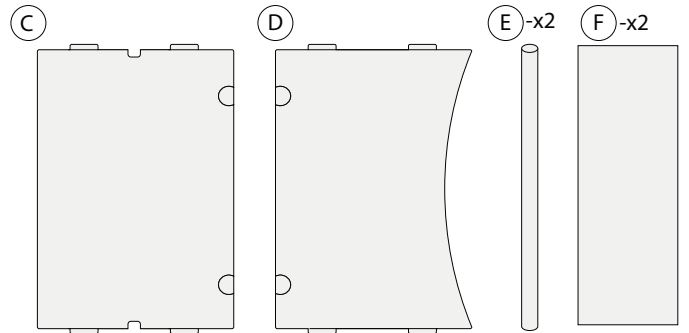
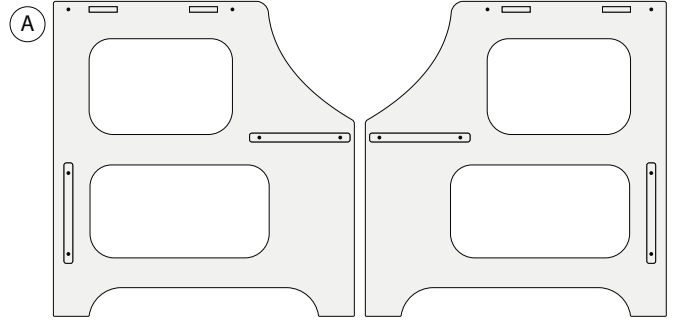
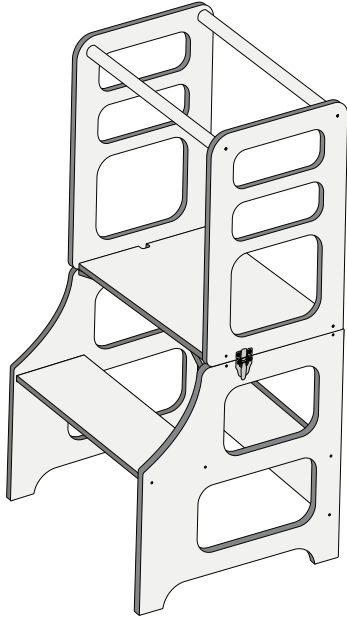
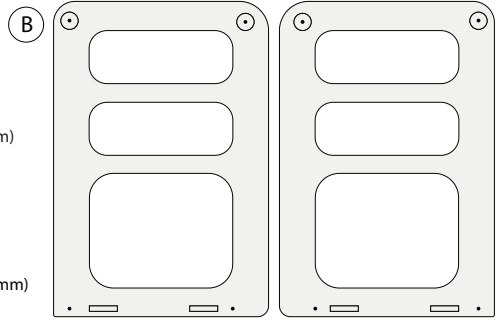
h -x2

i -x2

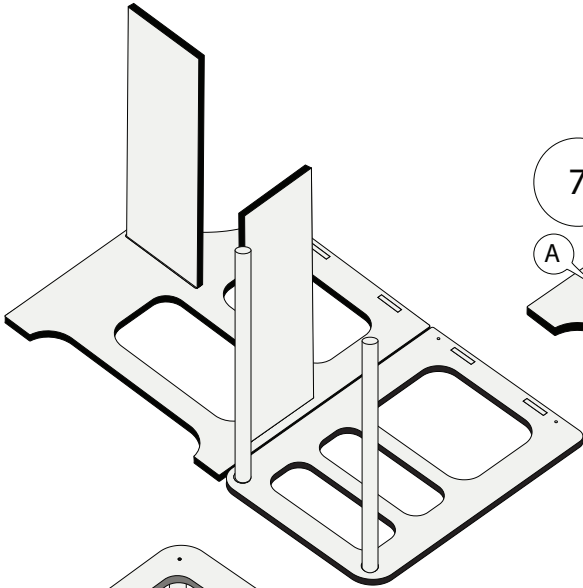
m - 22+1 pcs (3x12mm)

- hex key

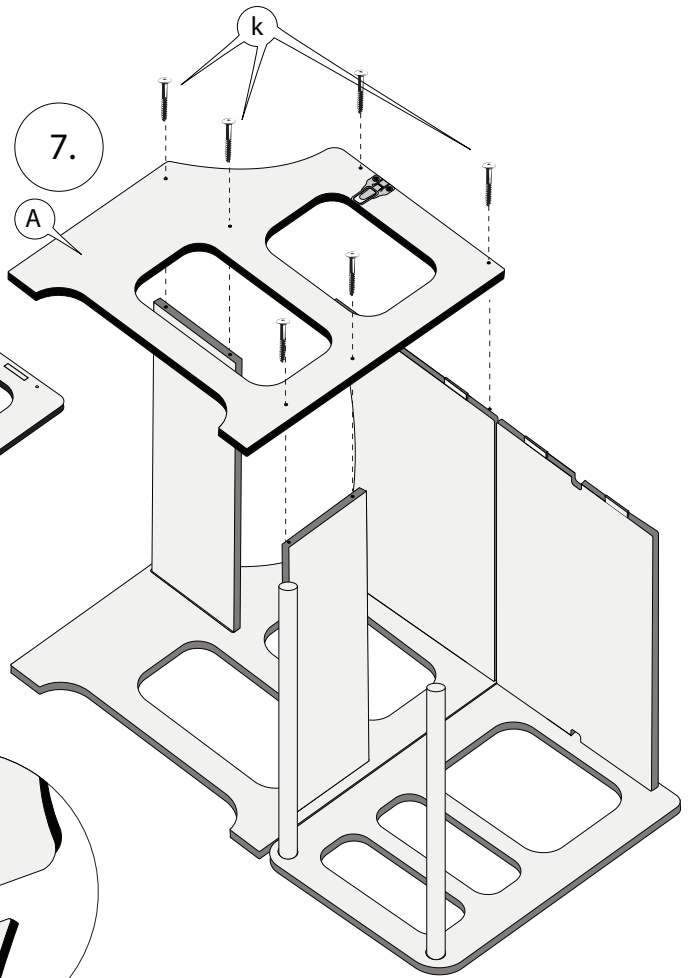
k - 20+1 pcs (4,5x50mm)



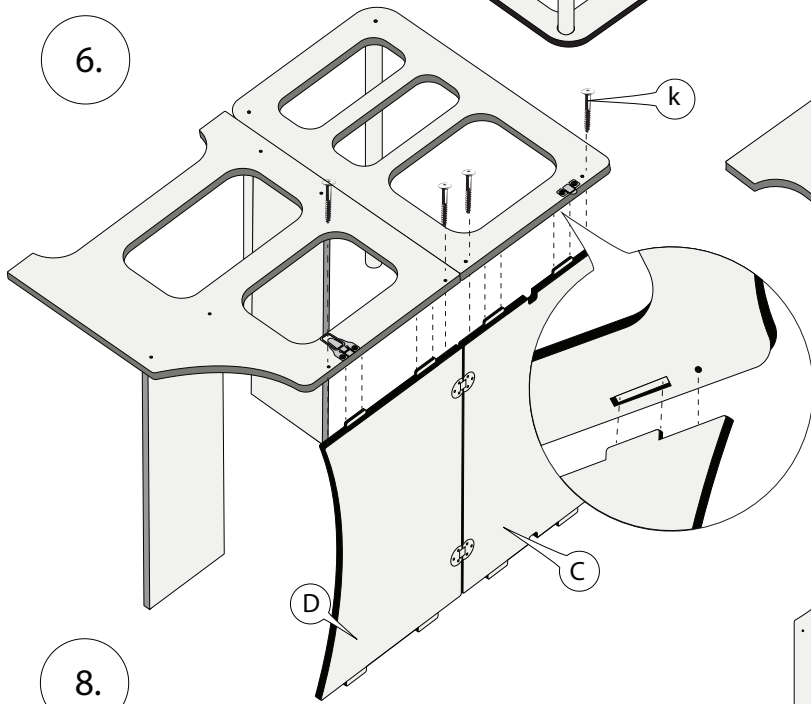
5.



7.



6.



8.

